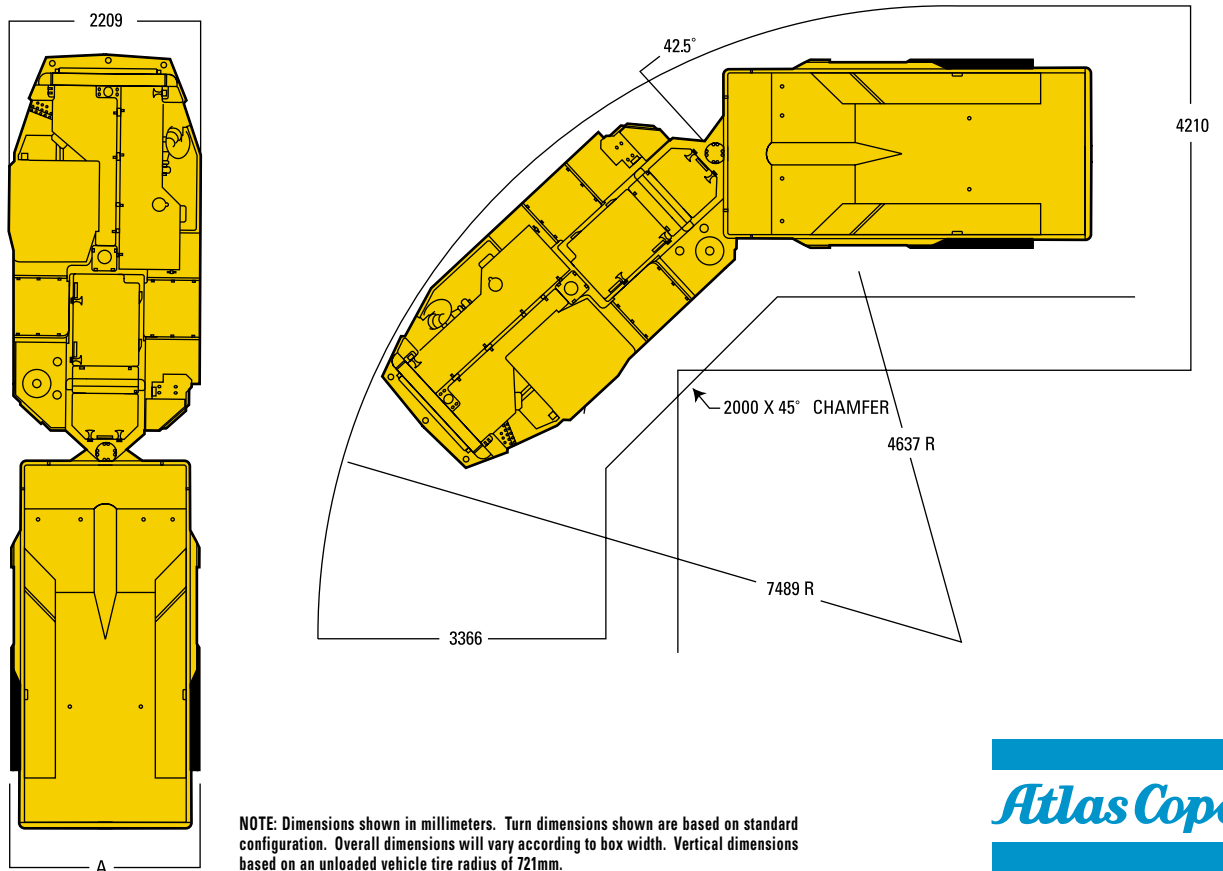
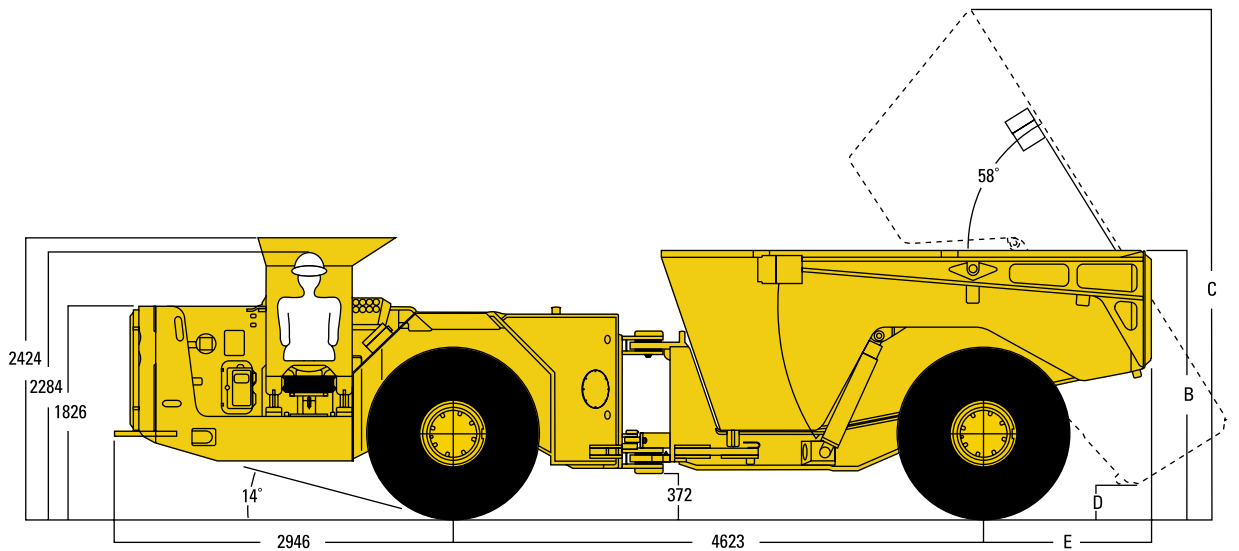


# MT2000

**Atlas Copco Wagner Inc.**

## **20 TONNE CAPACITY MINE TRUCK**

**technical specifications and performance data**



**NOTE:** Dimensions shown in millimeters. Turn dimensions shown are based on standard configuration. Overall dimensions will vary according to box width. Vertical dimensions based on an unloaded vehicle tire radius of 721mm.

# MT2000

## technical specifications

### CAPACITY

	kg	(lbs)
Payload	20000	(44,100)
Volume	See Volume Tables on Back	

### BODY DISCHARGING

Time	15 seconds
------	------------

### VEHICLE SPEEDS

See Vehicle Grade Performance Chart

### MOTOR

Detroit Diesel	Series 50 DDEC III
MSHA Power Rating @ 2,100 rpm	224 kW (300 hp)
Torque @ 1,350 rpm	1315 Nm (970 ft. lbs.)
Number of Cylinders	4 In-Line
Displacement	8.5 L (519 in <sup>3</sup> )
Cooling	Liquid (Water/Anti-Freeze)
MSHA Ventilation	439 m <sup>3</sup> /min @ 15,500 cfm

### EXHAUST SYSTEM

Exhaust Purifier and Silencer

### ELECTRICAL SYSTEM

System Voltage 24 Volt Starting, 24 Volt Accessories

### CONVERTER/TRANSMISSION

Single Stage with Manual Lock-Up	
Spicer	CL 8000 Series
Full Power Shift 4 Speeds Forward/4 Reverse	
Spicer	5000 Series

### AXLES

Spiral Bevel Differential, Full Floating Planetary	
Wheel End Drive	
Rock Tough®	457 Series

### BRAKES

Service	SAHR®
Spring Applied Hydraulically Released; Fully Enclosed	
Force Cooled, Multiple Wet Discs at Each Wheel End	
Parking and Emergency	SAHR®
Auxiliary	Jacobs Engine Brake®

### TIRES

Tubeless, Nylon, Lug Tread Design	
Tire Size, Front & Rear	16.00 x 25-28 E4 RLS

### STEERING

Articulated Hydraulic Power Steering, Pilot-Operated,	
Monostick Control	
Turning Angle	85° (42.5° each way)
System Pressure	16.5 MPa (2,400 psi)

### HYDRAULIC SYSTEM

Cylinders	Double Acting, Chrome Plated Stems
Steering Cylinders (2)	Single Stage
Hoist Cylinders (2)	Two Stage
Pumps	Heavy Duty Gear Type
Filtration	Suction: 30 Micron

### TANK CAPACITIES

	liters	(gallons)
Fuel	379	(100)
Hydraulic	223	(59)

### OSCILLATION

Front Axle Oscillation	
Degrees of Oscillation	20° (10° each side)

### OPERATOR'S ARRANGEMENT

Side Seated Operator for Bi-Directional Operation & Maximum Visibility and with Canopy, MSHA Certified with Integrated Rib Roll

### OPERATING WEIGHT

	kg	(lbs)
Empty	19274	(42,500)

# MT2000

## vehicle grade performance

### DETROIT SERIES 50 DDEC 224kW (300 hp) – LOADED (Converter Lock-Up)

Percent Grade	Ratio	1st Gear		2nd Gear		3rd Gear		4th Gear	
		kph	mph	kph	mph	kph	mph	kph	mph
0.0%		4.6	2.9	8.3	5.1	14.5	9.0	25.6	15.9
2.0%		4.6	2.9	8.2	5.1	14.3	8.9	25.0	15.6
4.0%		4.6	2.8	8.2	5.1	14.1	8.8	21.6	13.4
6.0%		4.6	2.8	8.1	5.0	14.0	8.7		
8.3%	1 : 12	4.5	2.8	8.1	5.0	13.4	8.3		
10.0%	1 : 10	4.5	2.8	8.0	5.0	11.5	7.2		
12.5%	1 : 8	4.5	2.8	8.0	5.0				
14.3%	1 : 7	4.5	2.8	7.9	4.9				
16.0%		4.5	2.8	7.7	4.8				
18.0%		4.5	2.8	7.1	4.4				
20.0%	1 : 5	4.5	2.8	6.5	4.0				
25.0%	1 : 4	4.4	2.7						
30.0%		4.4	2.7						

### DETROIT SERIES 50 DDEC 224kW (300 hp) – EMPTY (Converter Lock-Up)

Percent Grade	Ratio	1st Gear		2nd Gear		3rd Gear		4th Gear	
		kph	mph	kph	mph	kph	mph	kph	mph
0.0%		4.6	2.9	8.3	5.2	14.6	9.1	25.9	16.1
2.0%		4.6	2.9	8.3	5.2	14.5	9.0	25.7	16.0
4.0%		4.6	2.9	8.3	5.1	14.4	9.0	25.4	15.8
6.0%		4.6	2.9	8.2	5.1	14.3	8.9	25.2	15.7
8.3%	1 : 12	4.6	2.9	8.2	5.1	14.3	8.9	24.9	15.5
10.0%	1 : 10	4.6	2.9	8.2	5.1	14.2	8.8	23.3	14.5
12.5%	1 : 8	4.6	2.8	8.2	5.1	14.1	8.8	20.1	12.5
14.3%	1 : 7	4.6	2.8	8.1	5.1	14.0	8.7		
16.0%		4.6	2.8	8.1	5.0	14.0	8.7		
18.0%		4.6	2.8	8.1	5.0	13.9	8.6		
20.0%	1 : 5	4.5	2.8	8.1	5.0	13.1	8.1		
25.0%	1 : 4	4.5	2.8	8.0	5.0	10.3	6.4		
30.0%		4.5	2.8	7.9	4.9				

NOTE: 3% rolling resistance assumed. Actual performance may vary depending on the application.



The face of Innovation

## MT2000 box dimensions

		STD										
<b>ORE DENSITY</b>		tonnes/m <sup>3</sup>	1.6	1.8	2.0	2.2	2.4	2.6	2.8	3.0	3.1	
		lb/yds <sup>3</sup>	2698	3035	<b>3372</b>	3709	4046	4384	4721	5058	5227	
<b>STANDARD VOLUMES</b>												
SAE Struck	m <sup>3</sup>	11.7	10.5	<b>9.1</b>	8.3	7.6	6.9	6.5	5.7			
	yd <sup>3</sup>	15.3	13.7	<b>11.9</b>	10.9	9.9	9.0	8.5	7.5			
Semi-Heaped	m <sup>3</sup>	12.5	11.1	<b>10.0</b>	9.2	8.3	7.7	7.1	6.7			
	yd <sup>3</sup>	16.4	14.5	<b>13.1</b>	12.0	11.0	10.1	9.3	8.7			
SAE Heaped	m <sup>3</sup>	13.2	12.1	<b>10.8</b>	9.9	9.2	8.5	7.7	7.3			
	yd <sup>3</sup>	17.3	15.8	<b>14.1</b>	12.9	12.0	11.1	10.1	9.5			
<b>TRAM POSITION</b>												
Box Width (A)	mm	G	NG	G	NG	G	NG	G	G	G	G	
	inches	2541	2541	2172	2541	<b>2172</b>	2541	2172	2172	2172	2172	
Box Height (B)	mm	100	100	86	100	<b>86</b>	100	86	86	86	86	
	inches	2660	2473	2480	2289	<b>2317</b>	2131	2317	2082	2082	1981	1930
Rear Axle to Box Tail (E)	mm	105	97	98	90	<b>90</b>	84	90	82	82	78	76
	inches	1264	1264	1371	1264	<b>1371</b>	1264	1371	1371	1371	1371	1371
Tailgate Clearance (D)	mm	50	50	54	50	<b>54</b>	50	54	54	54	54	54
	inches											
<b>RAISED POSITION</b>												
Box Height (C)	mm	4586	4528	4491	4369	<b>4409</b>	4237	4401	4187	4187	4105	4061
	inches	181	178	177	172	<b>174</b>	167	173	165	165	162	160
Tailgate Clearance (D)	mm	443	443	246	443	<b>246</b>	408	246	237	237	237	237
	inches	17	17	10	17	<b>10</b>	16	10	9	9	9	9
<b>TELETRAM® VOLUMES</b>												
SAE Struck	m <sup>3</sup>							G			G	
	yd <sup>3</sup>							6.3			5.0	
Semi-Heaped	m <sup>3</sup>							8.2			6.5	
	yd <sup>3</sup>							7.1			5.9	
SAE Heaped	m <sup>3</sup>							9.3			7.7	
	yd <sup>3</sup>							7.9			6.8	
TRAM POSITION	m <sup>3</sup>							10.3			8.9	
	yd <sup>3</sup>											
Box Width (A)	mm							2210			2140	
	inches							87			84	
Box Height (B)	mm							2377			2202	
	inches							94			87	
Tailgate Clearance (D)	mm							589			574	
	inches							23			23	

Atlas Copco Wagner Inc.

Note: G=Tailgate NG=No Tailgate

Working Harder and Smarter

**Atlas Copco**

P.O. Box 20307 • Portland, Oregon 97294-0307 • USA • Telephone (503) 255-2863 • Facsimile (503) 251-3014  
 ©2000 Atlas Copco Wagner Inc. SAHR, Rock Tough, Teletram, E-O-D, Scooptram, Scoopy, and Strongback are registered trademarks of Atlas Copco Wagner Inc. Atlas Copco is a registered trademark of Atlas Copco AB. Other brands and symbols are trademarks of their respective companies. We reserve the right to change specifications and designs without prior notice.