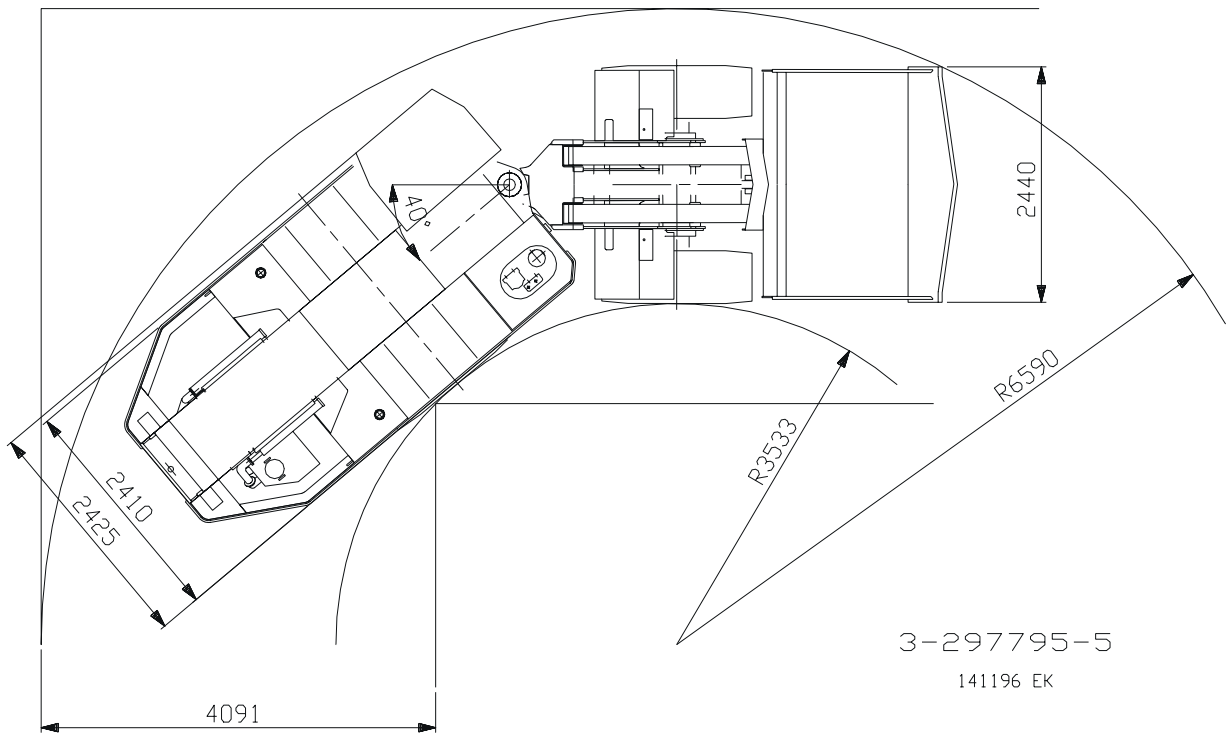
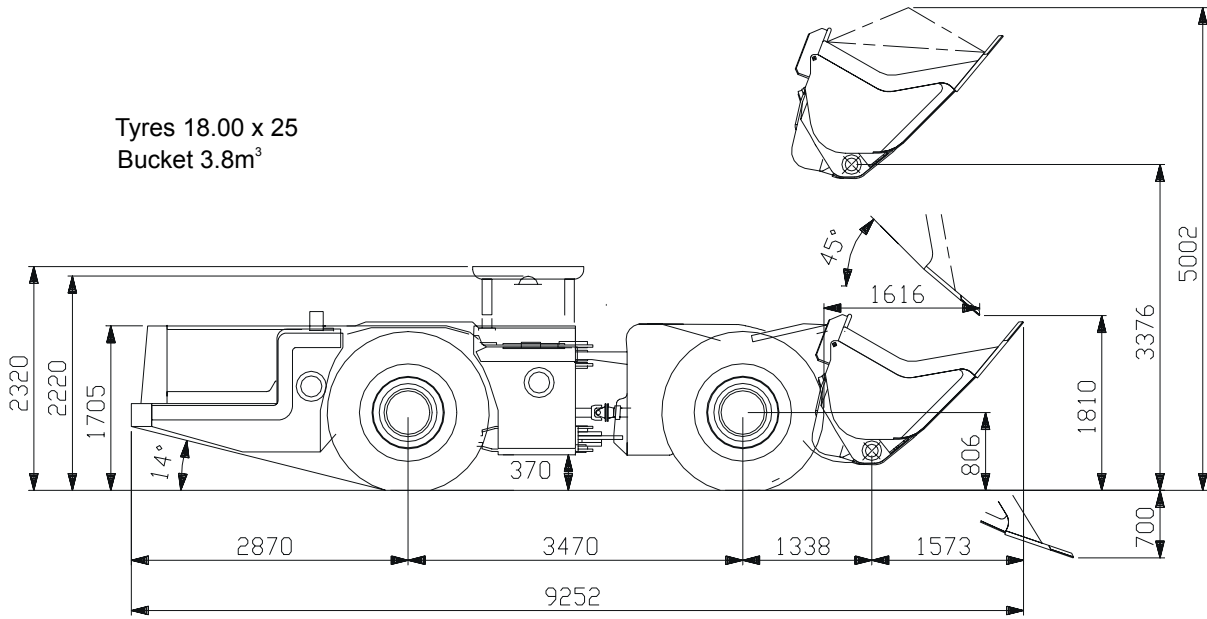


Tyres 18.00 x 25
Bucket 3.8m³



3-297795-5
141196 EK

Specs Underground Loader Toro 400 LHD Scoop

SANDVIK TAMROCK reserves the right to change this specification without further notice



SANDVIK TAMROCK Corp., P.O. Box 434
FIN-20101 Turku, Finland
Tel. +358 20544131
Fax. +358 20544130
e-mail: toro@sandvik.com
Internet: www.toro.sandvik.com

Weights

Operating weight	22 800 kg (50 266 lb)
Total loaded weight	32 400 kg (71 430 lb)
Shipping weight	22 300 kg (49 163 lb)

Capacities

Tramming capacity	9 600 kg (21 164 lb)
Breakout force, lift	200 kN (20 400 kg) (44975 lb)
Breakout force, tilt	189 kN (19 300 kg) (42550 lb)
Tipping load	24 000 kg (52 911 lb)
Bucket std.	3,8 m ³ (5.0yd ³), HB500/400

Bucket motion times

Raising time	7.0 sec.
Lowering time	4.0 sec.
Tipping time	2.5 sec.

Driving speeds forward and reverse

1st gear	5.1 km/h (3.2 mph)
2nd gear	10.3 km/h (6.4 mph)
3rd gear	17.0 km/h (10.6 mph)
4th gear	27.0 km/h (16.8 mph)

Engine

Diesel engine	DEUTZ F10L 413 FW
Output	158 kW/2200 r/min (215 hp)
Torque	765 Nm 1500 r/min
Number of cylinders	V 10
Displacement	15 953 cm ³
Cooling system	Air cooled
Combustion principle	Swirl-chamber, four stroke
Electric system	24V
Air filtering	Donaldson
Exhaust system	Catalytic purifier
Fuel tank capacity	290 l (76 gal.)
Water tank capacity	290 l (76 gal.)
Optional engine	Engine DEUTZ F10L413FWB, 158 kW.
Optional engine	Engine CAT 3306 PCT and DONALDSON.

Drive line

Converter	Dana SOH, C 5402
Gearbox	Dana SOH, R 32421
Axles	Front, Dana SOH, 19 D
	Rear, Dana SOH, 19 D, oscillating ± 10°

Tyres

Size and type 18.00x25 L5S, Bridgestone
Other type of tyres available to user's choice. In certain applications the productive capabilities of the loader may exceed the TKPH value given by tyre manufacturer.

Sandvik Tamrock recommend that the user consult their tyre supplier to evaluate conditions and to find the best solution for application.

Operators compartment

Safety canopy, height	2320 mm (91")
-----------------------	---------------

Lubrication system

Centralized manual lubrication

Manual languages

Spare part manual:

Operation instructions	main European languages
Maintenance instructions	main European languages
Engine spare part information	English
Machine spare part information	English

Workshop manual

Operation instructions	main European languages
Maintenance instructions	main European languages
Engine workshop manual	Original
Power train components manual	Original
Optional equipment instructions	English

Optional bucket sizes

- Bucket size 4.3 m³ (5.6 yd³), width 2440 mm (96"), HB500/400.
- Bucket size 4.6 m³ (6.0 yd³), width 2440 mm (96"), HB500/400.
- Side tipping bucket 3.8 m³ (5.0 yd³).
- Ejector bucket 4.6 m³ (6.0 yd³).

Sandvik Toro L400 LHD Load Haul Dump for sale

SANDVIK TAMROCK reserves the right to change this specification without further notice



SANDVIK TAMROCK Corp., P.O. Box 434
FIN-20101 Turku, Finland
Tel. +358 20544131
Fax. +358 20544130
e-mail: toro@sandvik.com
Internet: www.toro.sandvik.com