

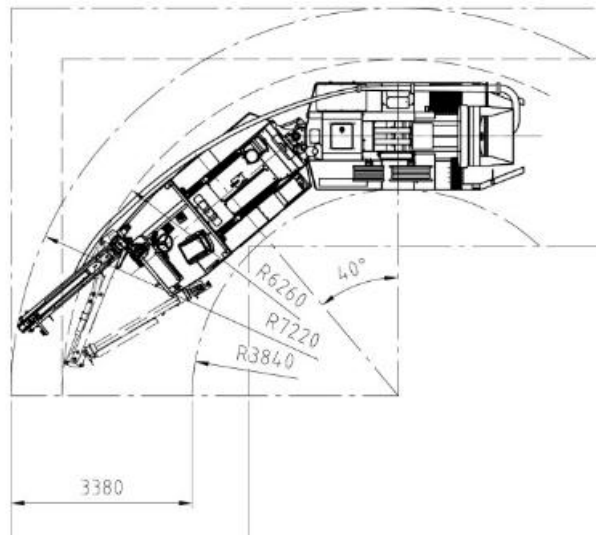
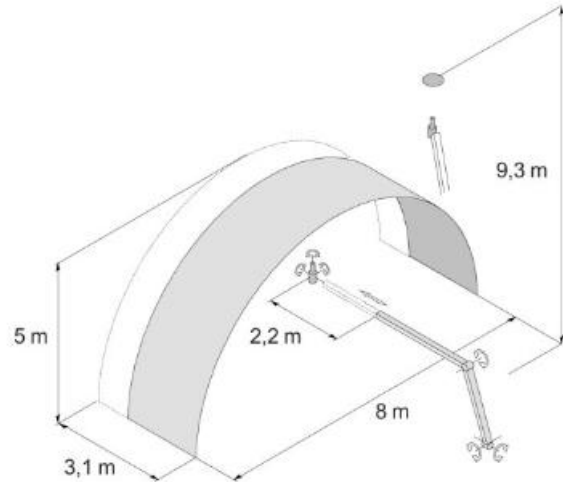
normet

Normet Corporation
Ahmolan tie 6
FI-74510 IISALMI, FINLAND
Tel +358 (0) 17 83 241
Fax +358 (0) 17 823 606

Spraymec 6050 WP

Diesel-hydraulic Shotcreter

TI 100004455
DRW
DATE 13.11.2007
PAGE 2 / 4
APPR. 21.07.2008

**normet**

Normet Corporation
Ahmolan tie 6
FI-74510 IISALMI, FINLAND
Tel +358 (0) 17 83 241
Fax +358 (0) 17 823 606

Spraymec 6050 WP

Diesel-hydraulic Shotcreter

TI 100004455
DRW
DATE 13.11.2007
PAGE 3 / 4
APPR. 21.07.2008

ENGINE

Deutz TCD 2012
96 kW/2200 rpm

TRANSMISSION

Dana Spicer powershift
3 speeds forwards and reverse
4-wheel drive

AXLES

Planetary type

TYRES

10.00 - 20 PR 16

BRAKES

Drive brake: hydraulic power assisted two-circuit oil immersed multidisc brakes in both axles

Safety/Parking brake: hydraulically released fail safe -type brake

STEERING

Hydraulic frame steering
Orbitrol type
Frame articulation +/- 40°
Oscillation +/- 10°

HYDRAULICS

210 bar, 95 l/min/2200 rpm

ELECTRICAL SYSTEM

Carrier:
24 V
Battery 2 x 105 Ah
Alternator 80 A
Lights (2+2) x 70 W
Shotcreting operations:
Working lights 6 X 70 W

PERFORMANCE CURVE

3700350
1st. gear max. 5 km/h
2nd gear 14 km/h
3rd gear 30 km/h
Max. tractive effort 90 kN

DIMENSIONS

Length 10520 mm
Width 2000 mm
Height 2150 mm
Wheel base 3550 mm
Track 1480 mm
Ground clearance 290 mm

TURNING RADIUS

Outer 7220 mm
Inner 3840 mm

WEIGHT

Operating 13500 kg

SHOTCRETING BOOM

Boom rotation 270°
Boom lifting -20°...+75°
Boom folding -60°...+165°
Extension 2200 mm
Nozzle rotation 360°
Nozzle tilting 105°

WET CONCRETE PUMP

Diesel hydraulic 4-19 m³/h

ACCELERATOR PUMP

Max. pressure 40 bar
Liquid flow 1...20 l/min

ACCELERATOR TANK

Volume 350 l

AIR HOSE REEL

Manual, 1 1/2" hose 30 m