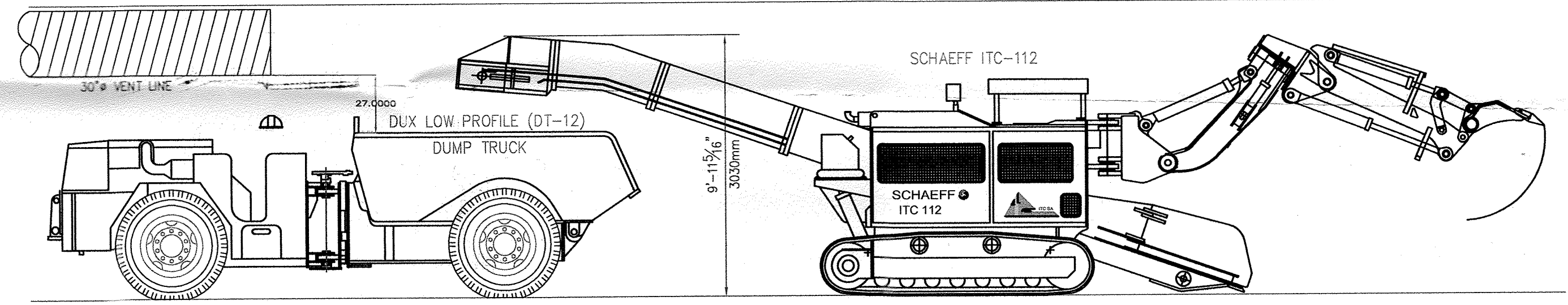
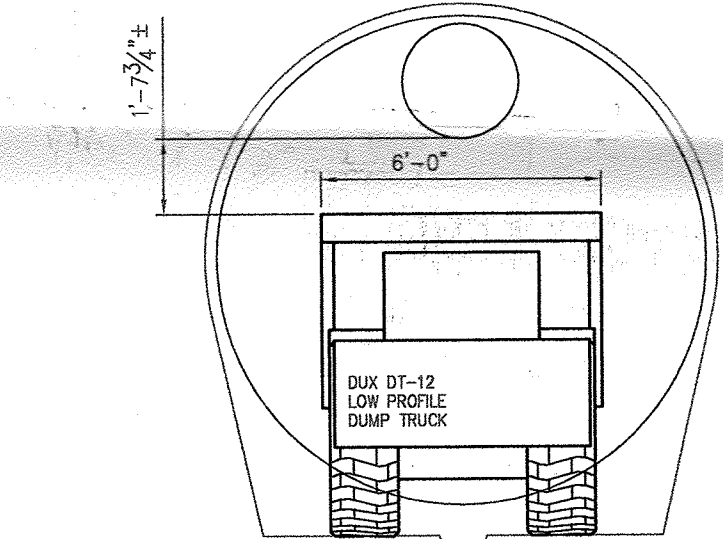
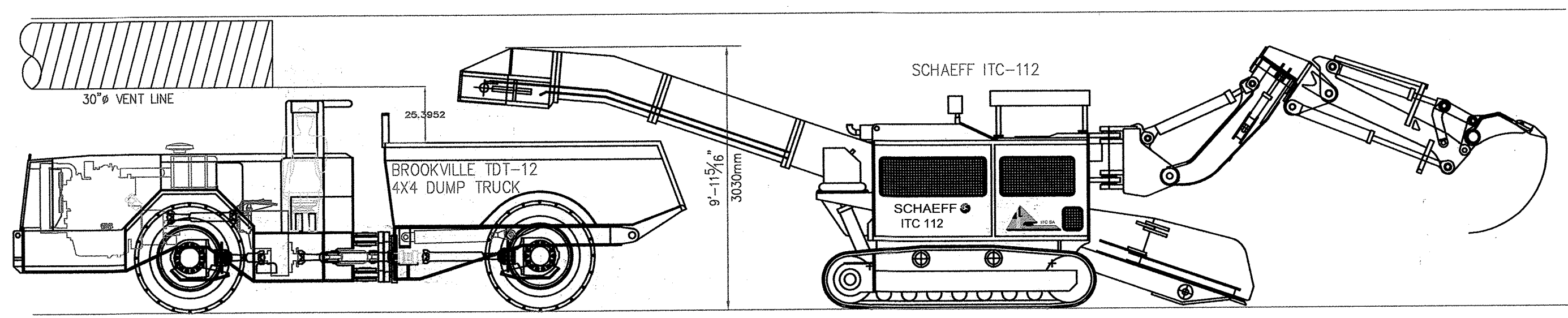
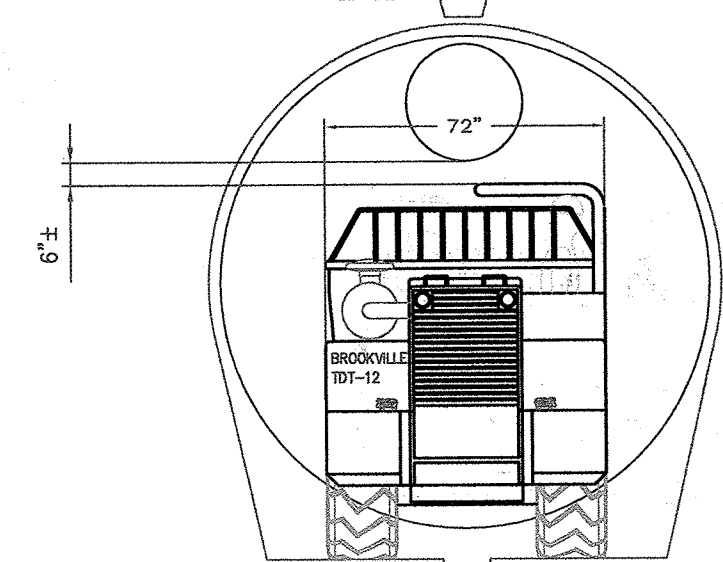


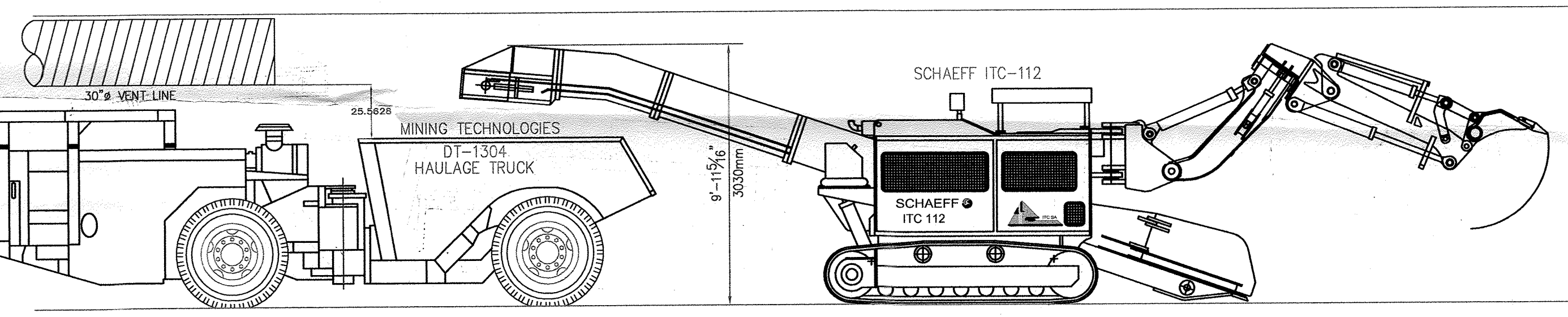
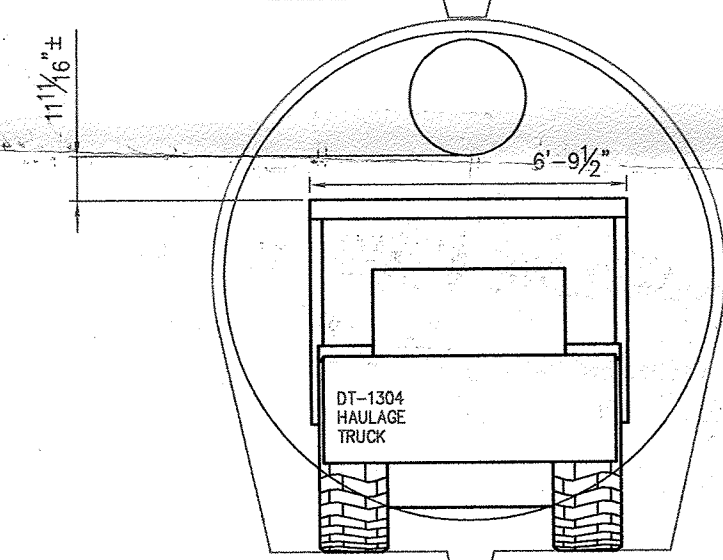
DUX DT-12	
CAPACITY:	12 TON / 6.6 CYD STRUCK
ENGINE:	DUETZ BF6M-1013C LIQ CLD
HORSE POWER:	156 HP @ 2300 RPM
TRANSMISSION:	DANA HR24000 SERIES 3 SPD
PLANTARY AXLES:	DANA 176
PRICE:	\$189,000
AVAILABILITY:	----



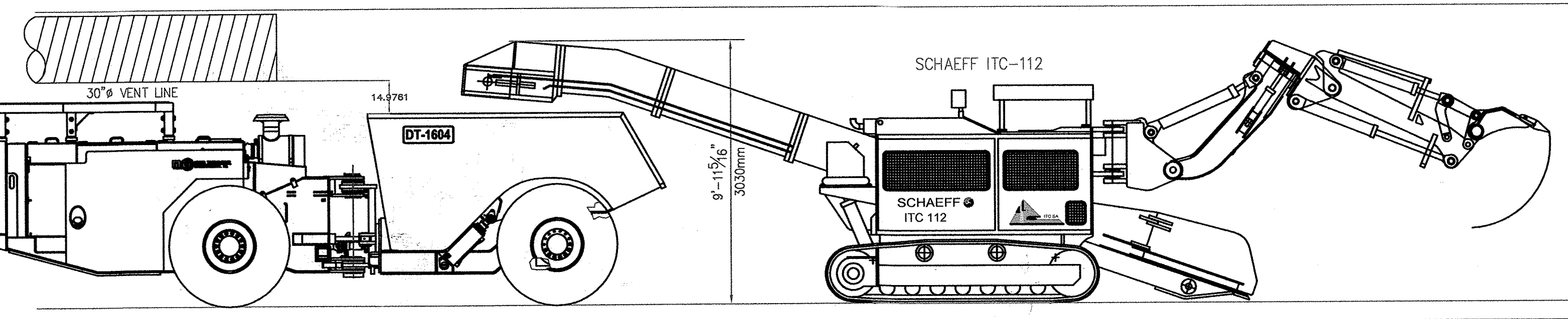
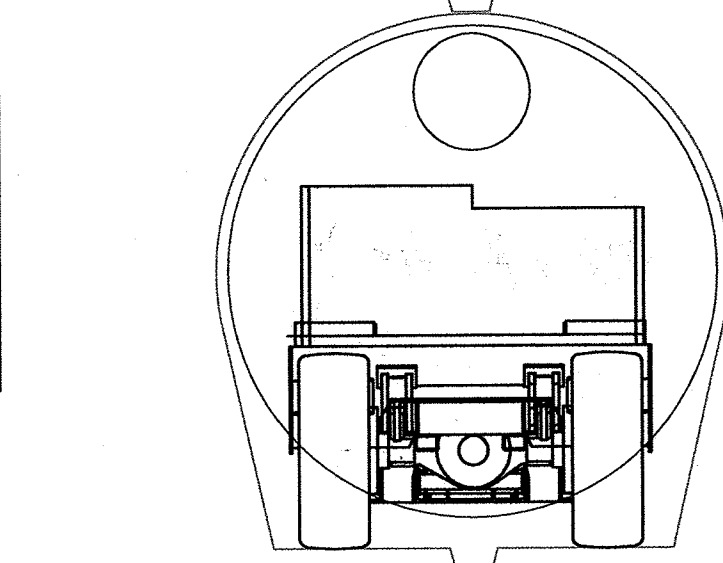
BROOKVILLE TDT-12	
CAPACITY:	12 TON / 6.5 CYD STRUCK
ENGINE:	JOHN DEERE 4045H TIER 2
HORSE POWER:	125 HP
TRANSMISSION:	JOHN DEERE 2000 SERIS 3 SPD
PLANTARY AXLES:	JOHN DEERE 1200 SERIES
PRICE:	----
AVAILABILITY:	----



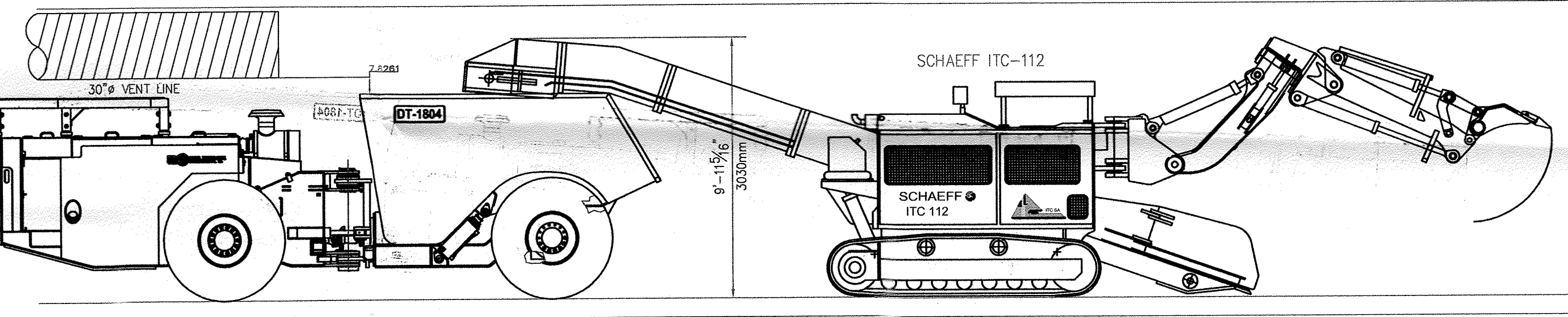
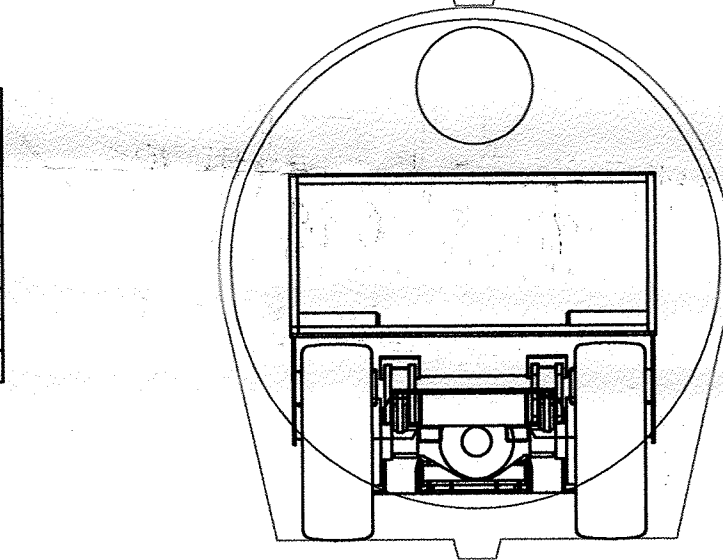
MTI DT-1304	
CAPACITY:	26,000 LBS / 8.1 CYD STRUCK
ENGINE:	DUETZ BF6M-1013 ECP
HORSE POWER:	190 HP @ 2300 RPM
TRANSMISSION:	DANA R32000 SERIES
PLANTARY AXLES:	JOHN DEER 1400 SERIES
PRICE:	----
AVAILABILITY:	----



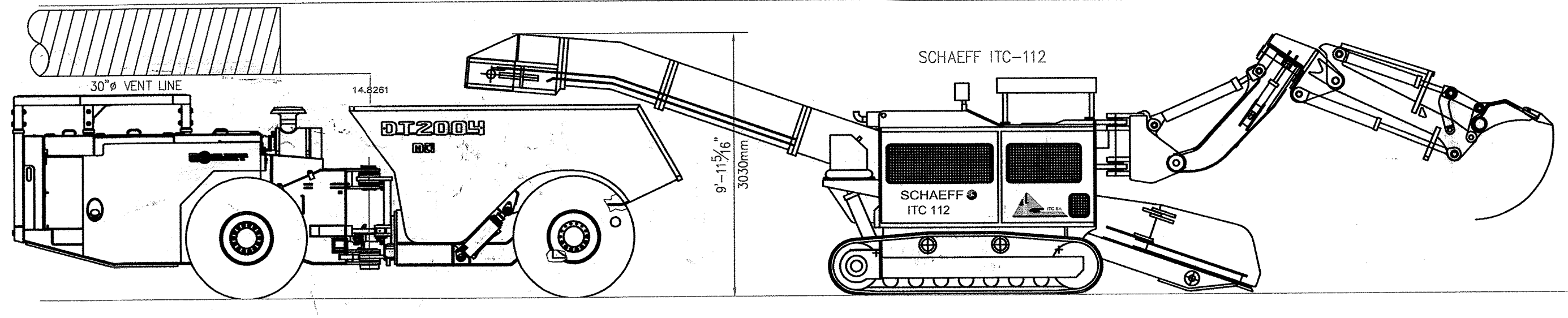
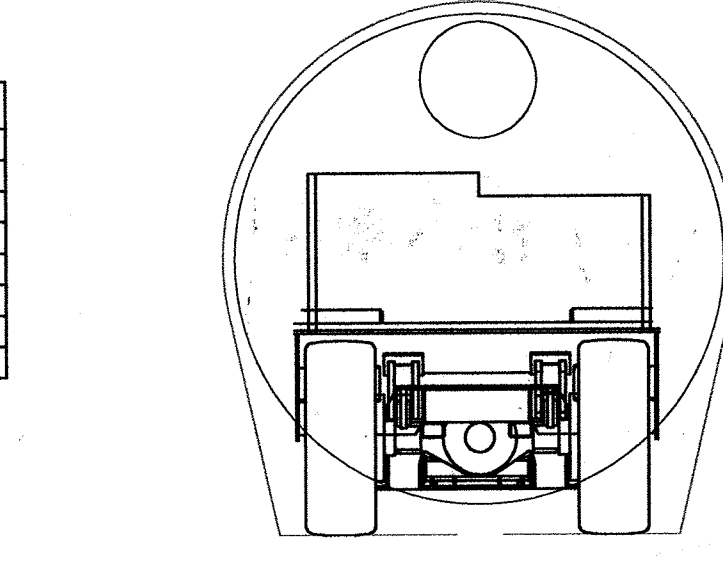
MTI DT-1604	
CAPACITY:	16 TON / 9.6 CYD STRUCK
ENGINE:	DUETZ BF6M-1013 ECP
HORSE POWER:	205 HP @ 2300 RPM
TRANSMISSION:	DANA R32000 SERIES
PLANTARY AXLES:	DANA 16D AXLES
PRICE:	\$275,000
AVAILABILITY:	16 WEEKS

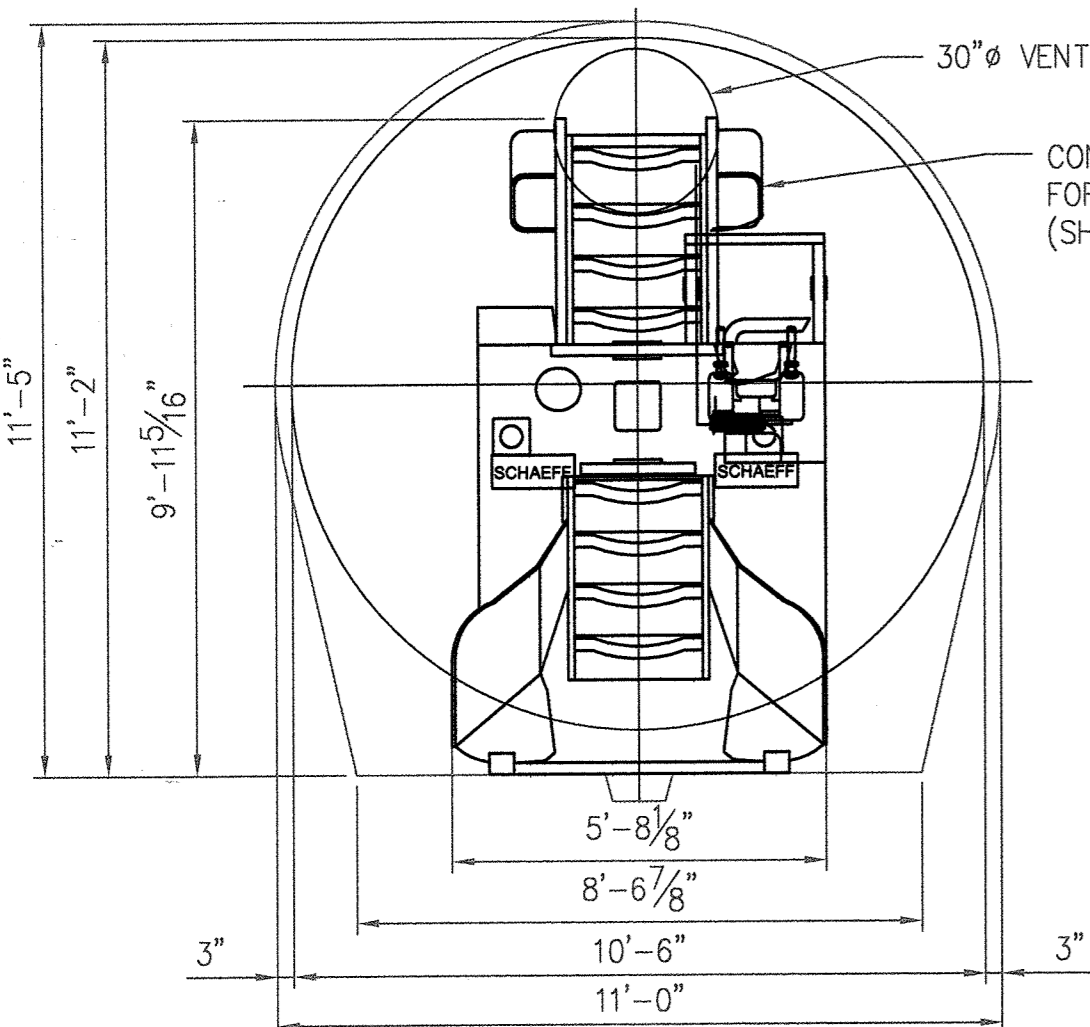


MTI DT-1804	
CAPACITY:	18 TON / 11.7 CYD STRUCK
ENGINE:	DUETZ BF6M-1013 ECP
HORSE POWER:	205 HP
TRANSMISSION:	DANA R32000 SERIES
PLANTARY AXLES:	DANA 16D AXLES
PRICE:	\$285,000
AVAILABILITY:	16 WEEKS

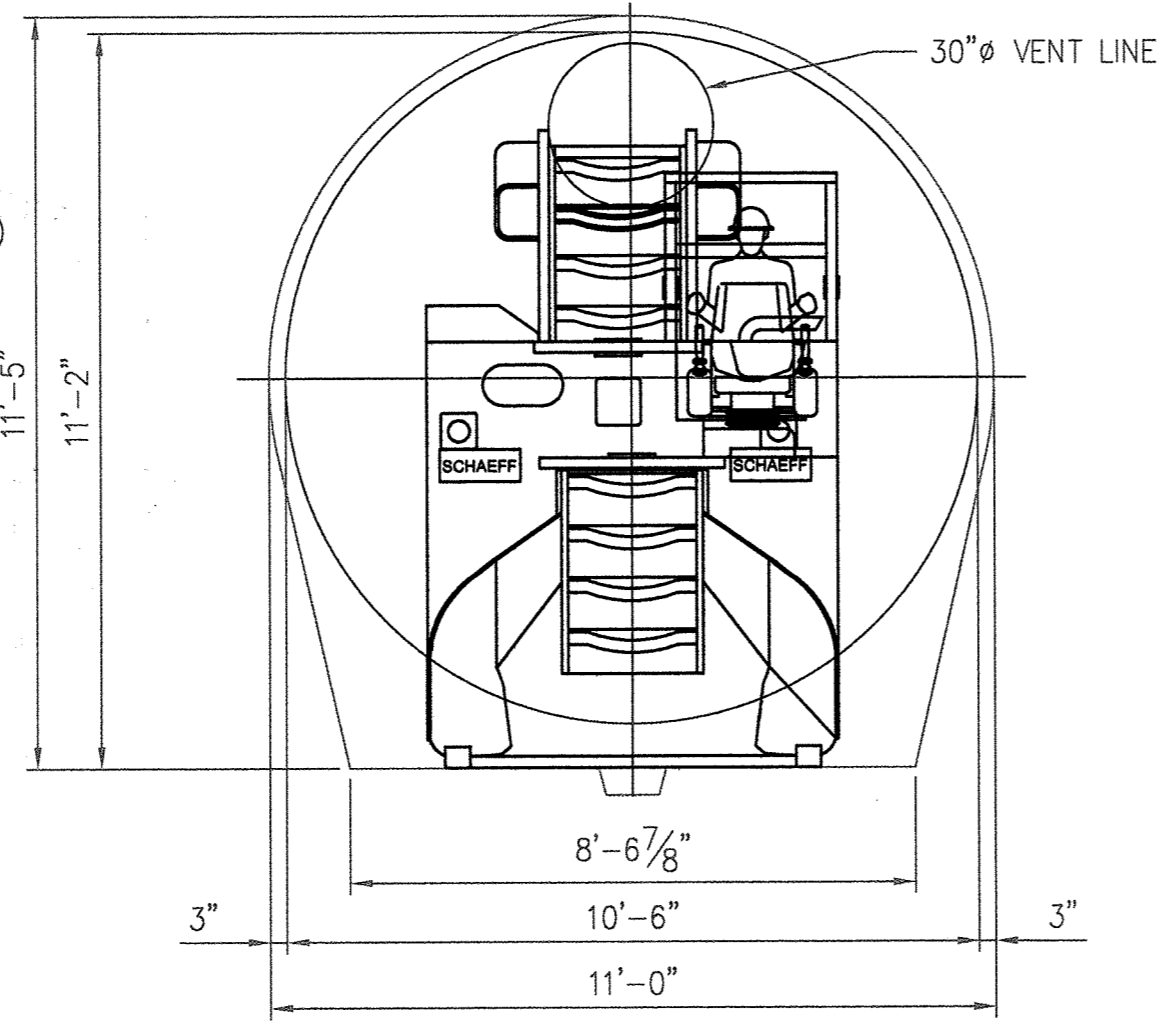


MTI DT-2004	
CAPACITY:	20 TON / 13.3 CYD STRUCK
ENGINE:	DUETZ BF6M-1013 ECP
HORSE POWER:	240 HP @ 2300 RPM
TRANSMISSION:	DANA R32000 SERIES
PLANTARY AXLES:	DANA 16D SERIES
PRICE:	\$315,000
AVAILABILITY:	16 WEEKS

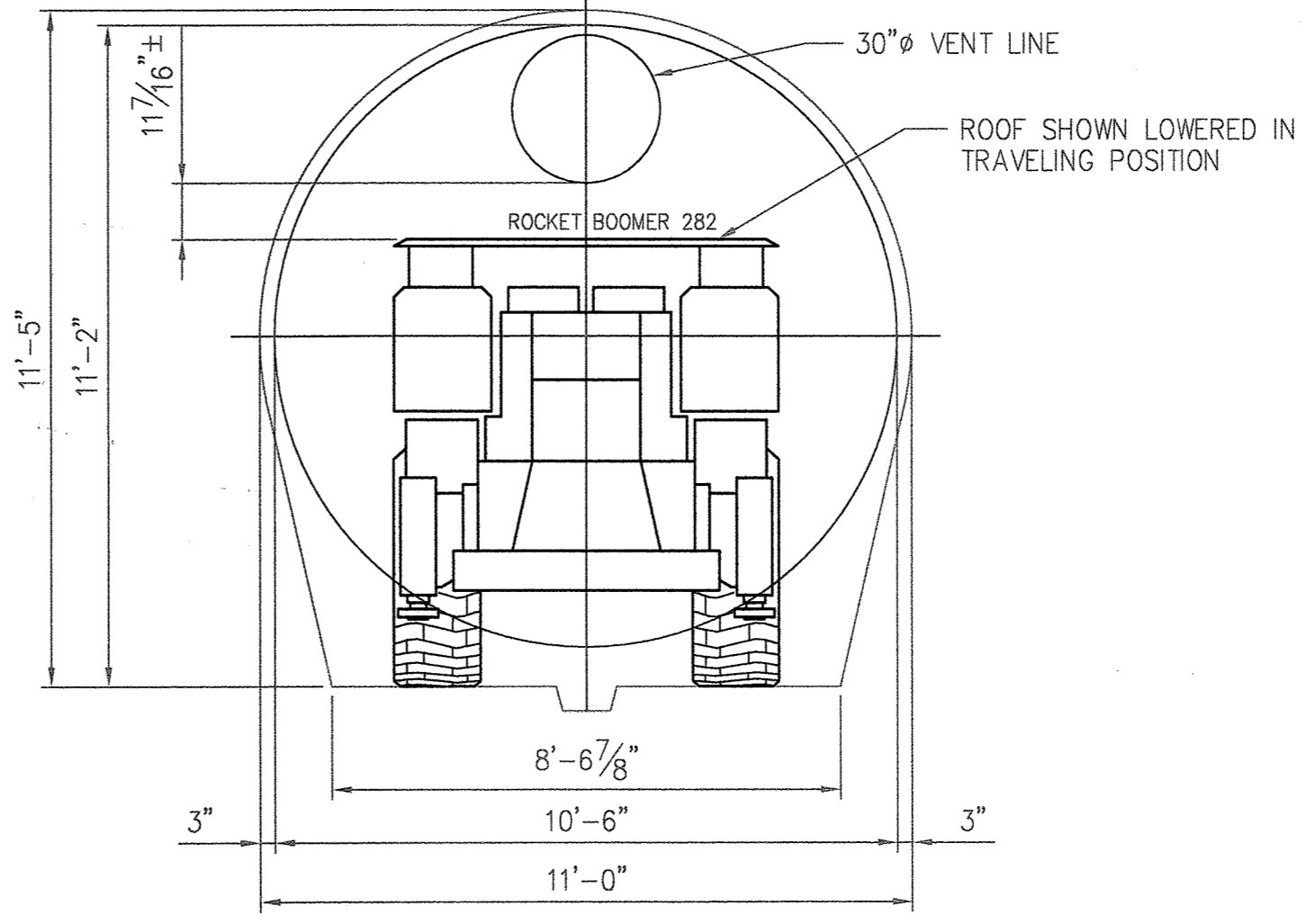




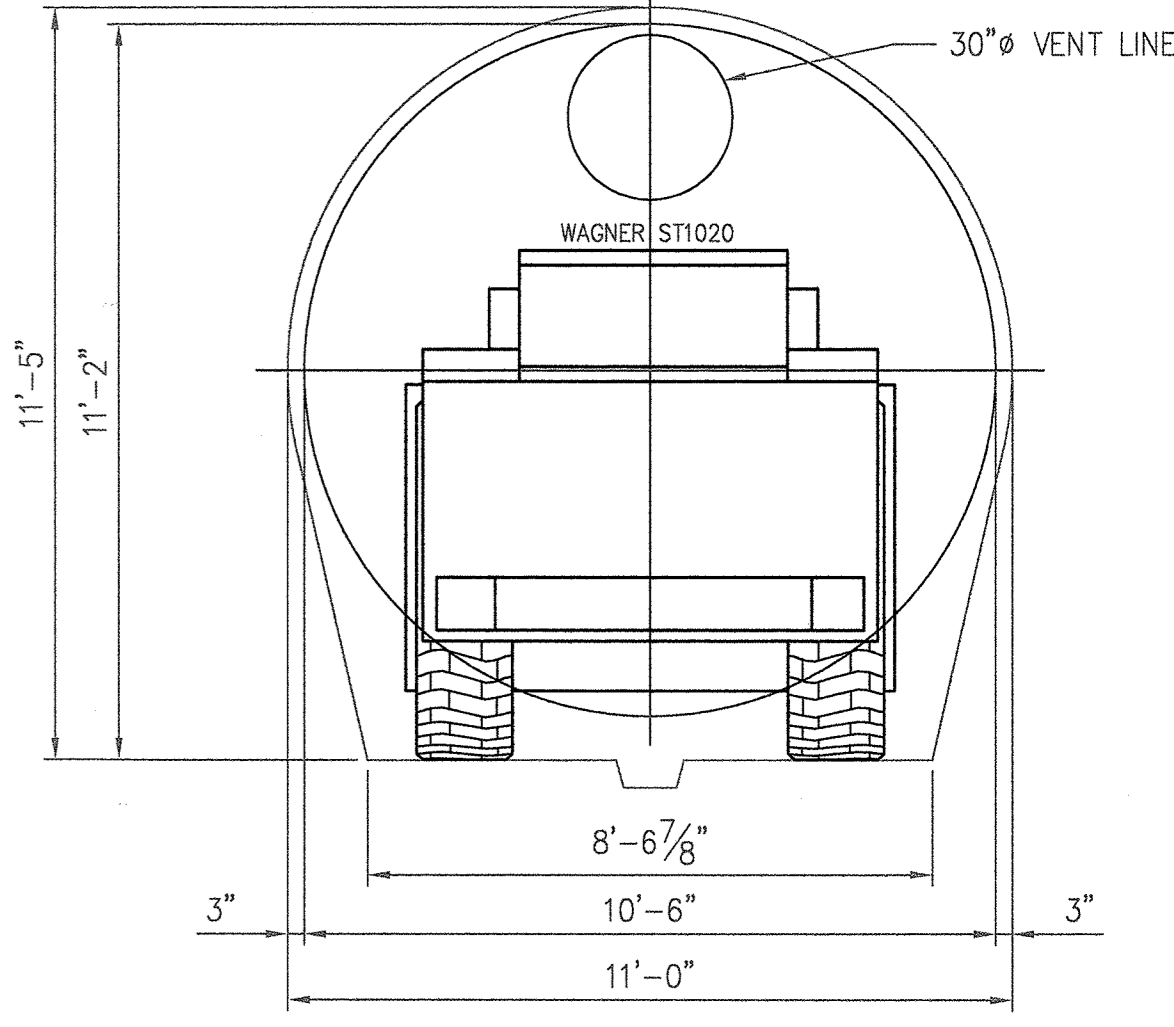
SCHAEFF ITC-112



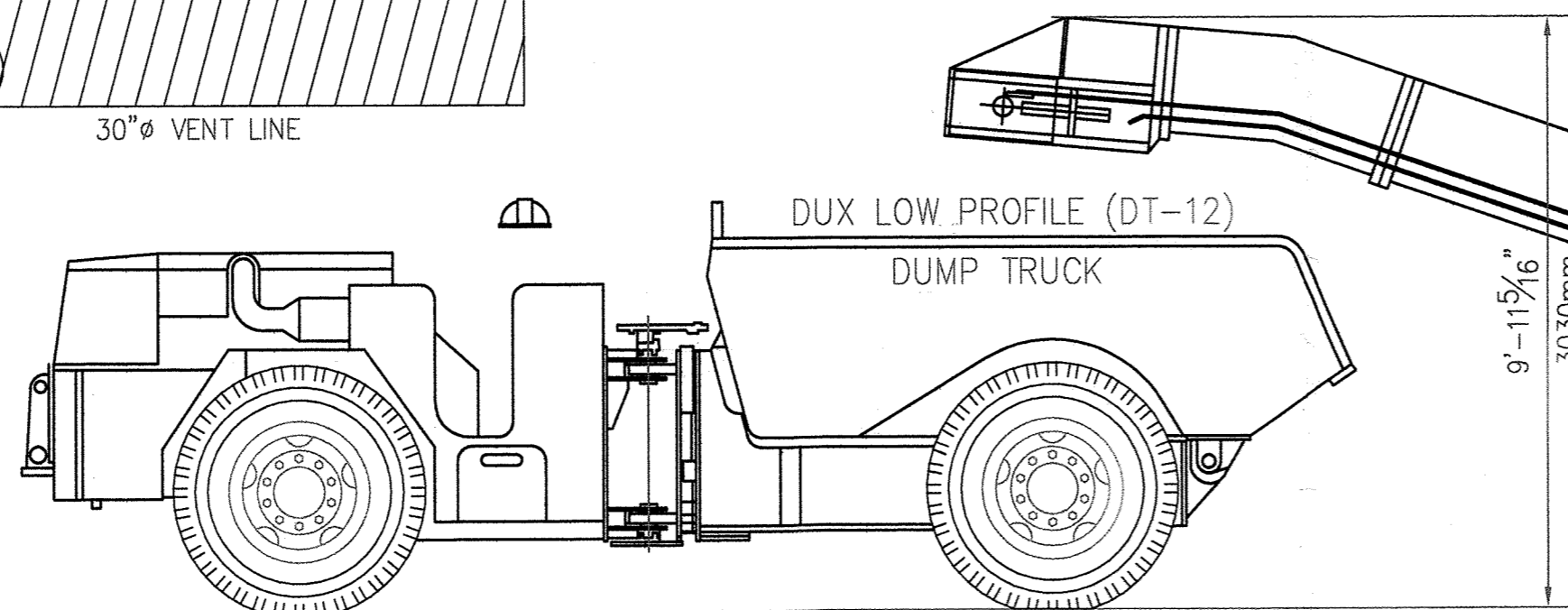
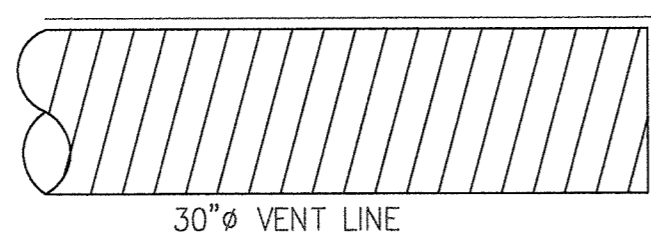
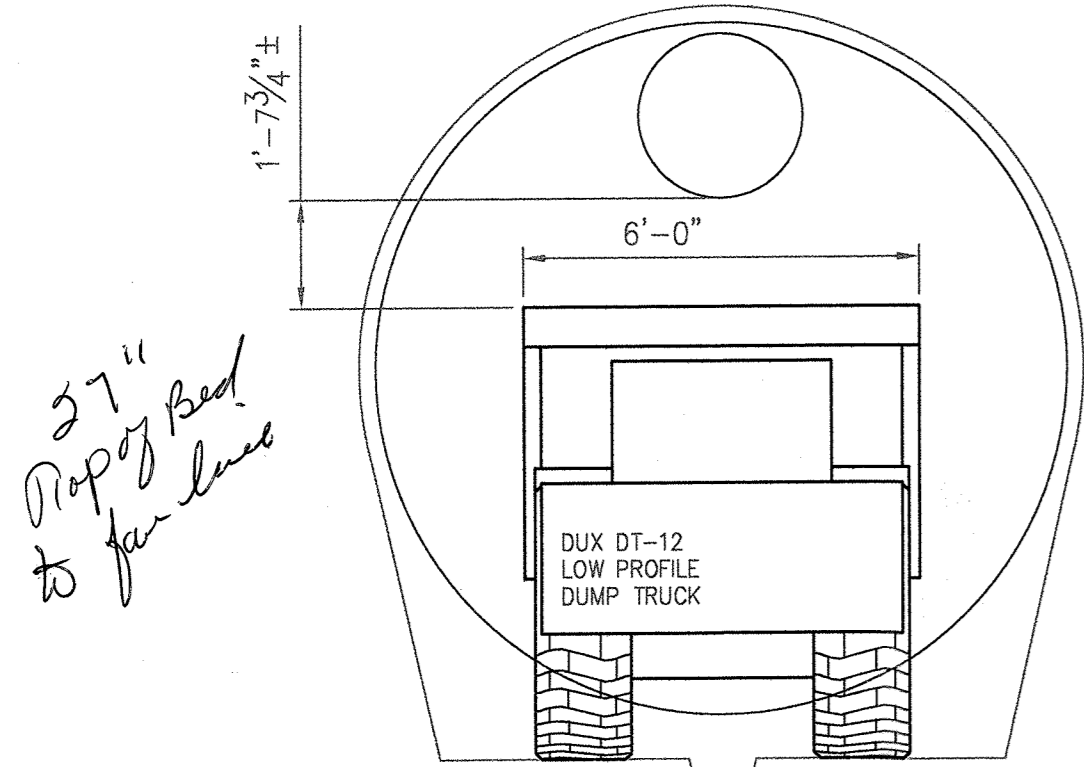
SCHAEFF ITC-120-F2



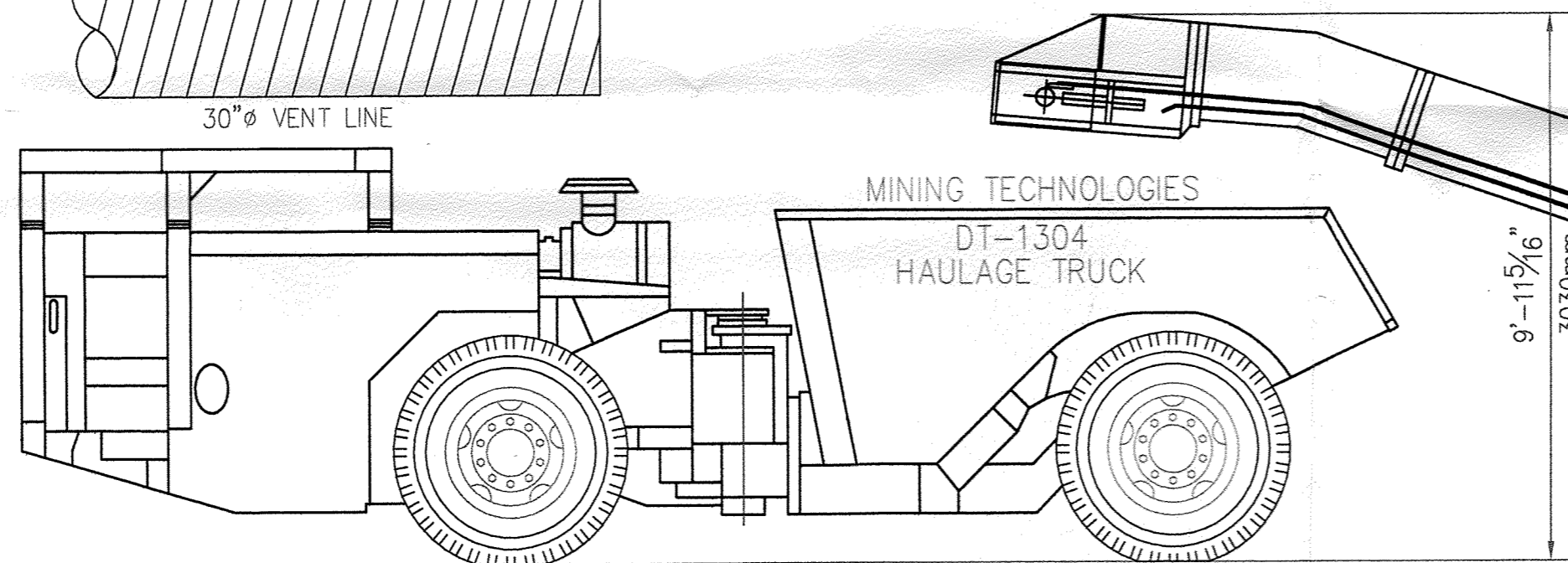
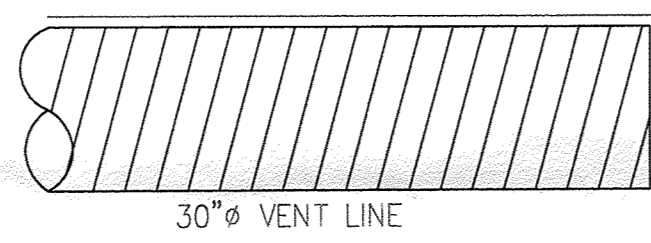
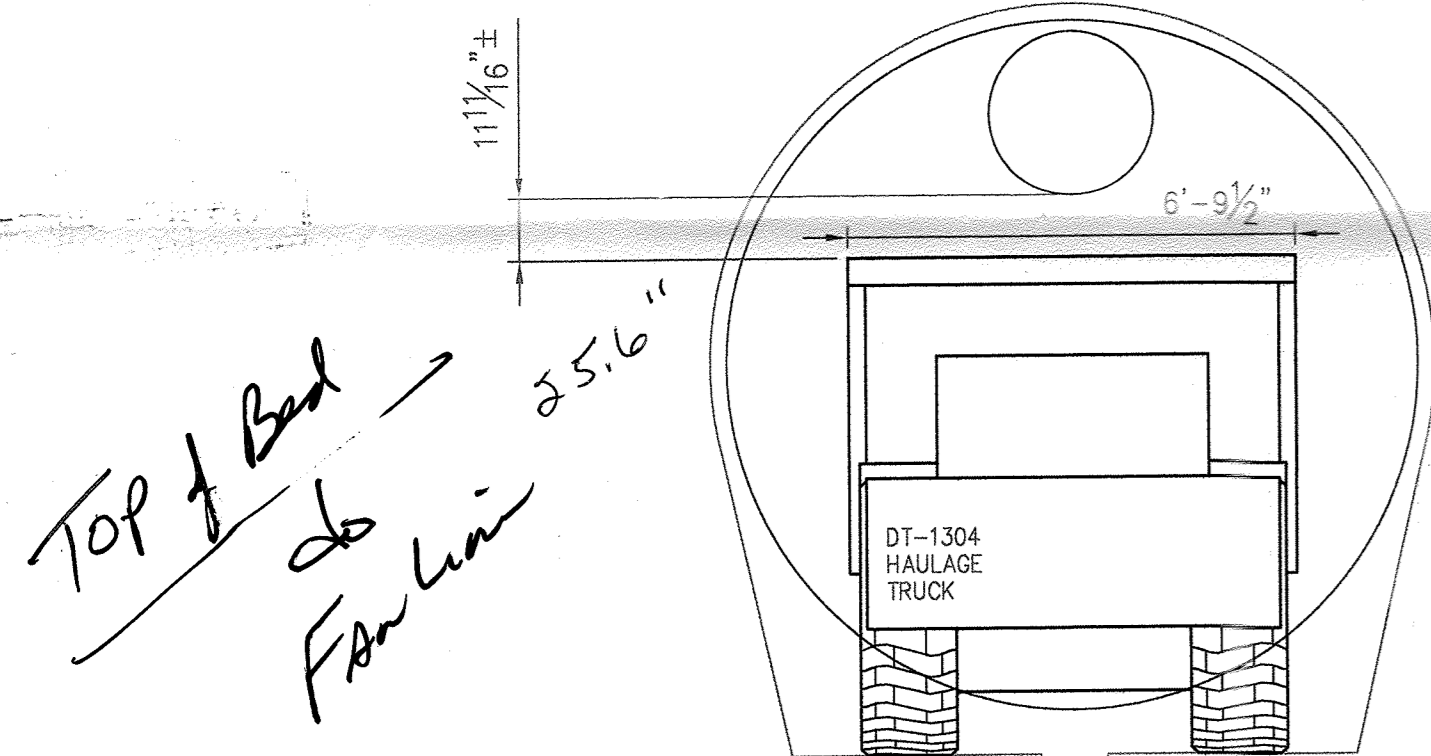
ROCKET BOOMER 282



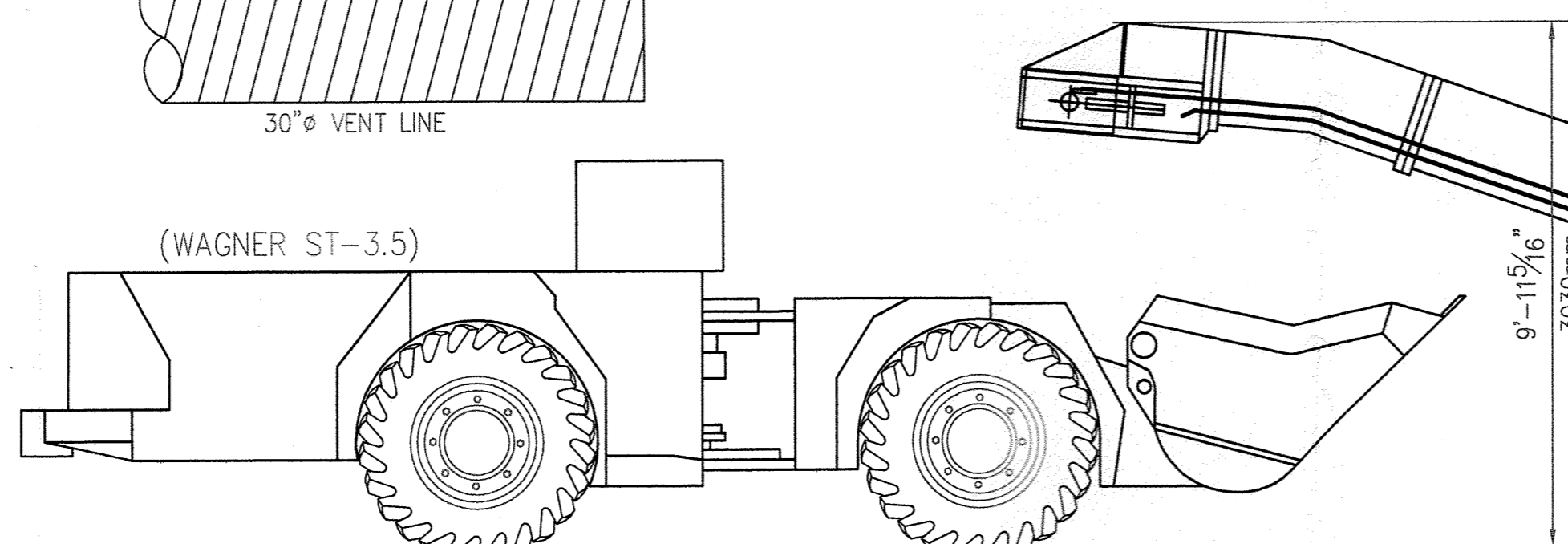
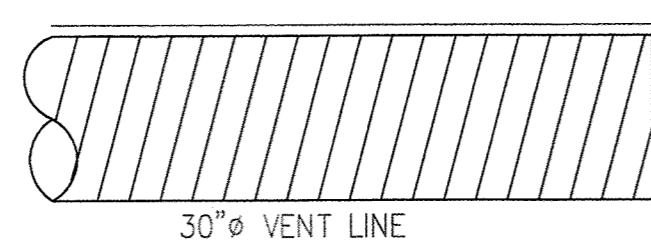
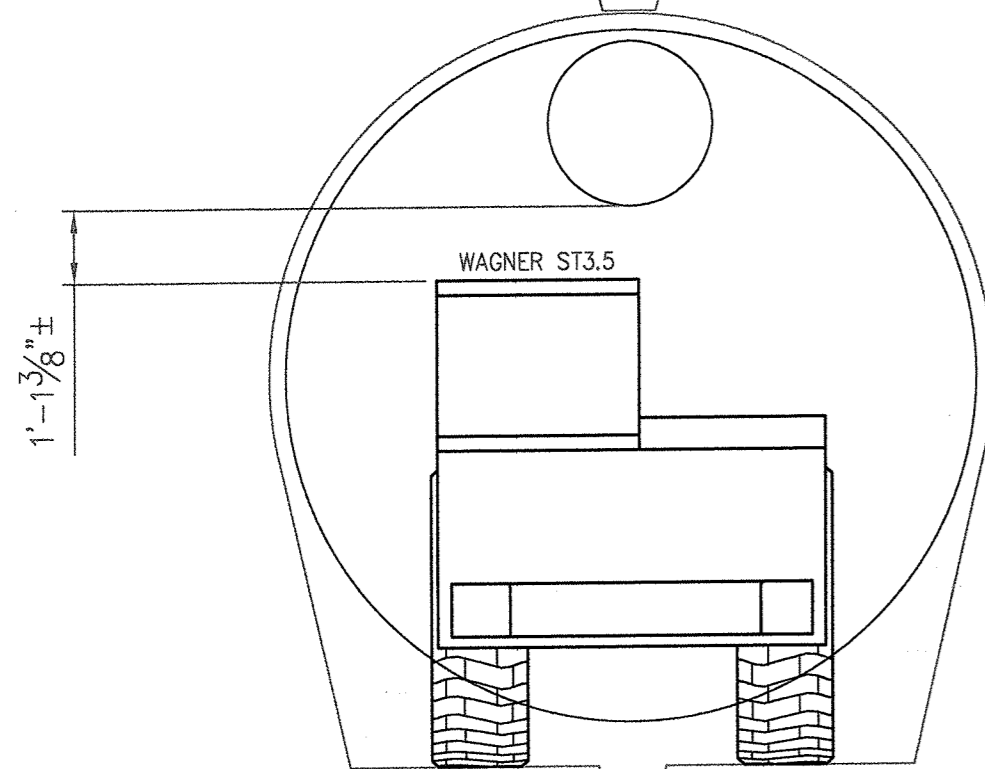
WAGNER ST1020 (new number for ST5)



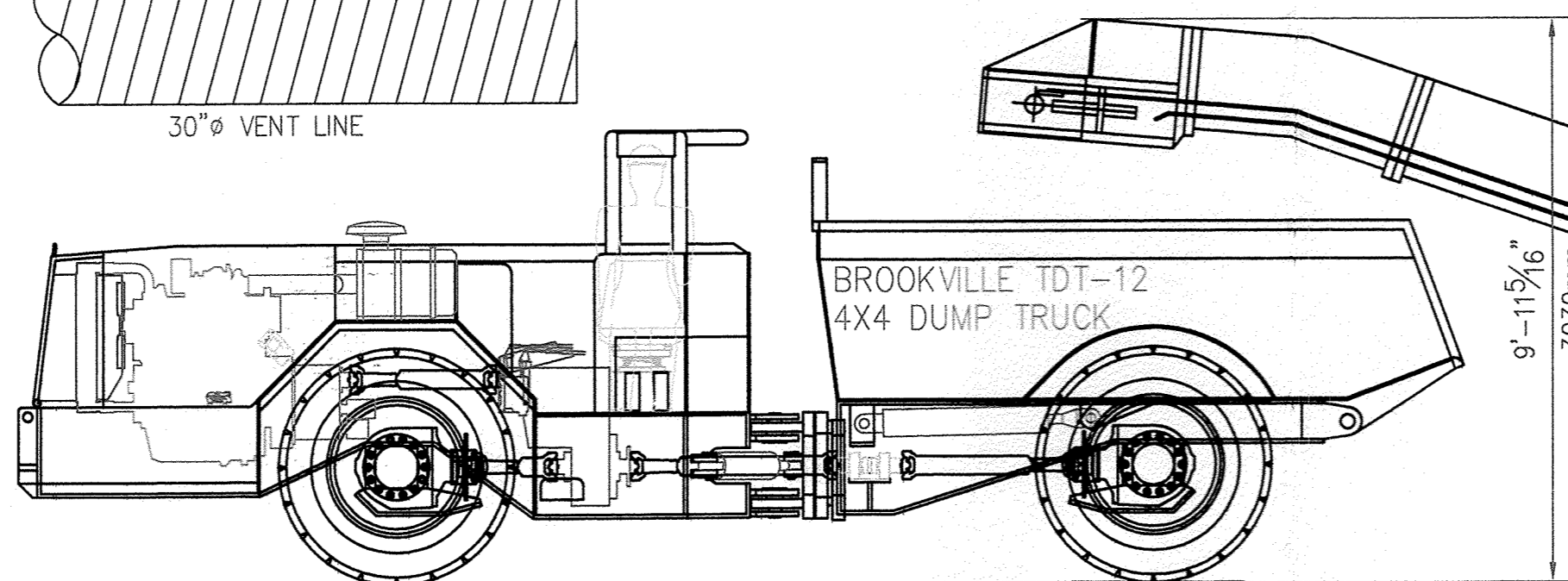
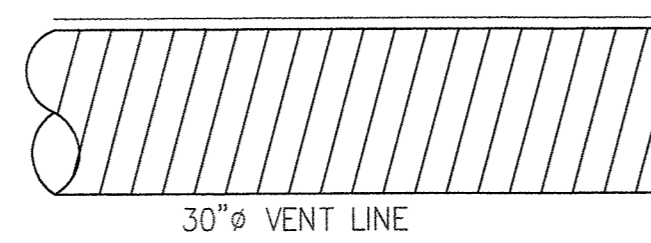
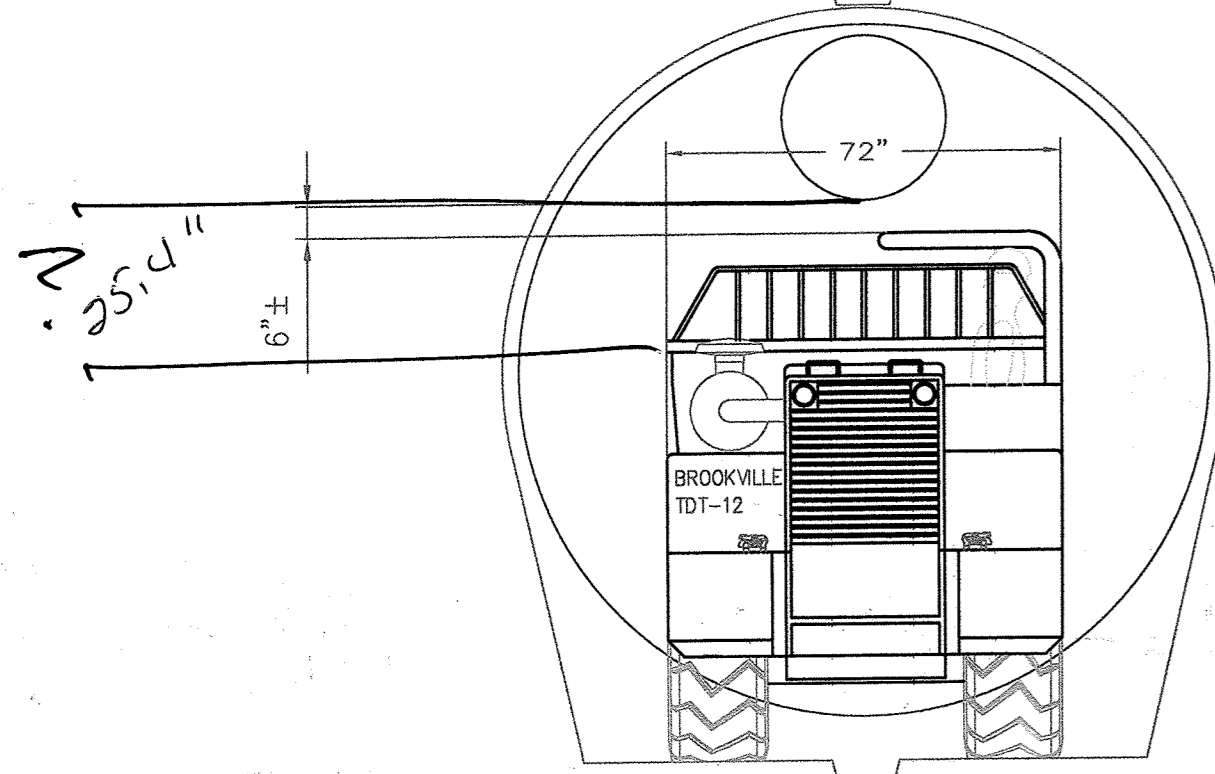
SCHAEFF ITC-112



SCHAEFF ITC-112



SCHAEFF ITC-112



SCHAEFF ITC-112