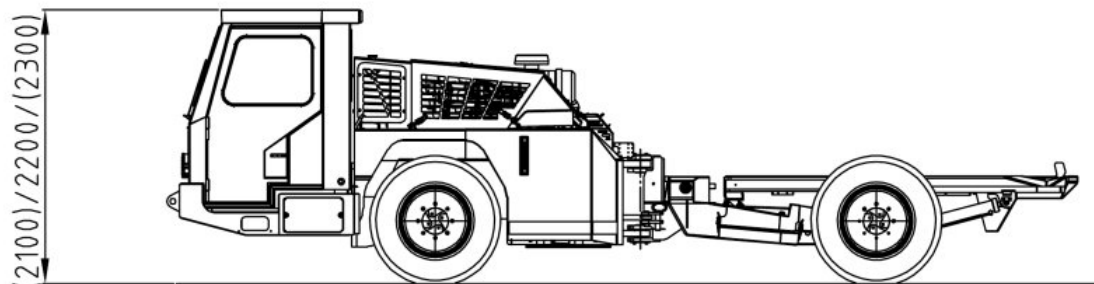
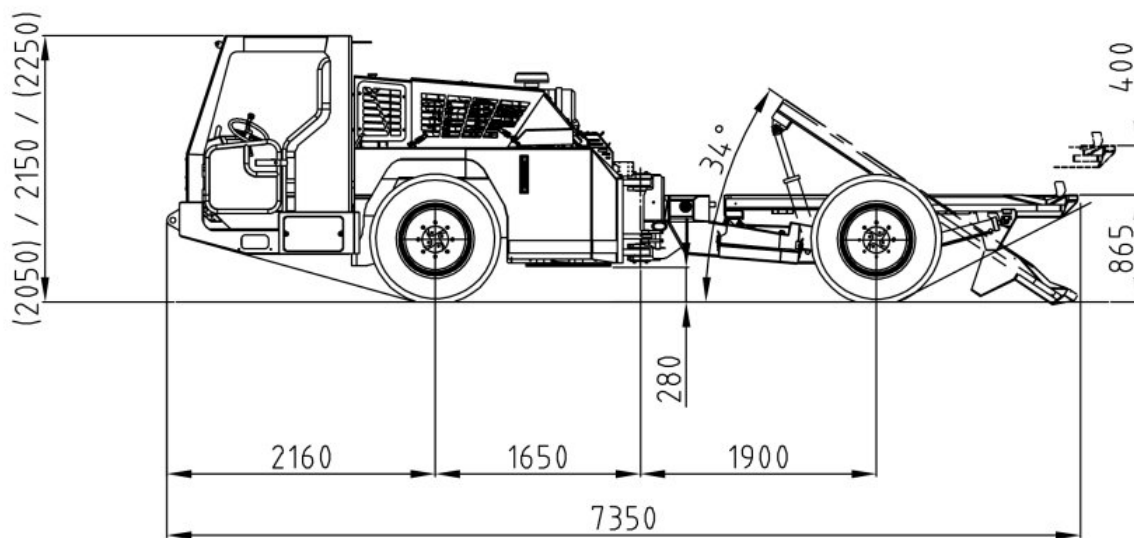
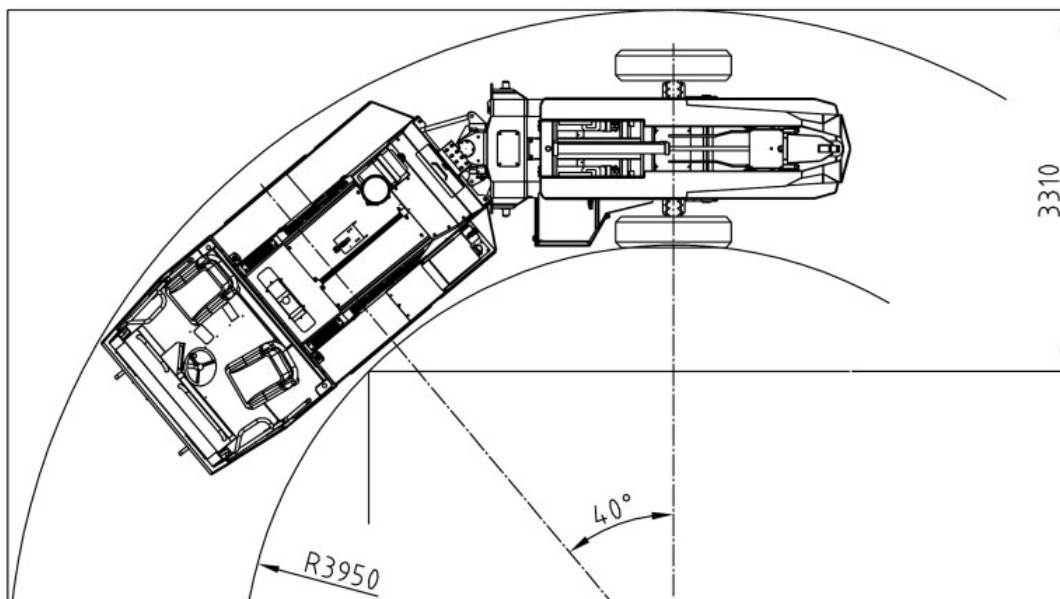
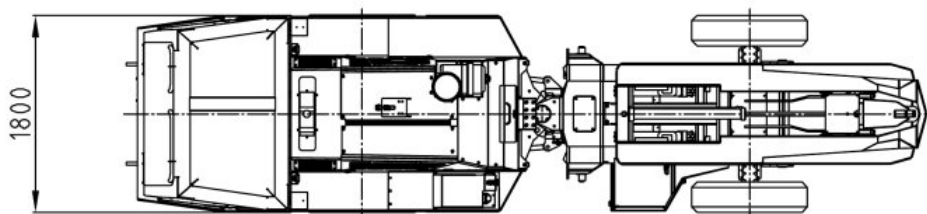



<b>normet</b> Normet Corporation Ahmolantie 6 FI-74510 IISALMI, FINLAND Tel +358 (0) 17 83 241 Fax +358 (0) 17 823 606	<b>Multimec 6600</b>	TI 1800021
		DRW
		PAGE 1 / 3
		APPR. 14.12.2008



<b>normet</b> Normet Corporation Ahmolantie 6 FI-74510 IISALMI, FINLAND Tel +358 (0) 17 83 241 Fax +358 (0) 17 823 606	<b>Multimec 6600</b>	TI 1800021
		DRW
		DATE 21.11.2007
		PAGE 2 / 3
		APPR. 14.12.2008



 <b>Normet Corporation</b> Ahmolantie 6 FI-74510 IISALMI, FINLAND Tel +358 (0) 17 83 241 Fax +358 (0) 17 823 606	<h2>Multimec 6600</h2>	TI 1800021 DRW DATE 21.11.2007 PAGE 3 / 3 APPR. 14.12.2008

**DIMENSIONS**

Length	7350 mm
Width	1800 mm
Height	(+/- 100 mm) 2150 mm
Wheel base	3550 mm
Track	1500 mm
Ground clearance	280 mm

**WEIGHT**

Operating	7400 kg
Max. payload	6000 kg

**TURNING RADIUS**

Outer	6100 mm
Inner	3950 mm

**PERFORMANCE CURVE**

	<b>4800031</b>
1st gear	max. 5 km/h
2nd gear	12 km/h
3rd gear	25 km/h
Max. tractive effort	90 kN

**TRANSMISSION**

Dana Spicer powershift  
 3 speeds forwards and reverse  
 4-wheel drive

**AXLES**

Planetary type  
 rear axle fixed  
 front axle oscillation +/- 10°

**TYRES**

10.00 - 20 PR 16

**BRAKES**

**Service brake:** hydraulically powered two-circuit oil immersed multidisc brakes in both axles  
**Safety/Parking brake:** hydraulically released fail-safe - type brake

**STEERING**

Hydraulic frame steering,  
 Orbitrol type  
 Frame articulation +/- 40°

**HYDRAULICS**

190 bar, 95 l/min/2200 rpm  
 for steering and brakes  
 200 bar, 105 l/min/2200 rpm for mixer

**ENGINE**

Deutz TCD 2012 L4  
 96 kW/2200 rpm

**ELECTRICAL SYSTEM**

24 V negative ground  
 Battery 2 x 110 Ah  
 Alternator 80 A  
 Lights (2+2) x 70 W

**OPTIONS AND ACCESSORIES:****ENCLOSED CABIN****CABIN HEATING****AIR CONDITIONING****ENGINE**

MB 904 LA  
 90 kW/2200 rpm

**HYDRAULICS FOR MIXER CASSETTE**